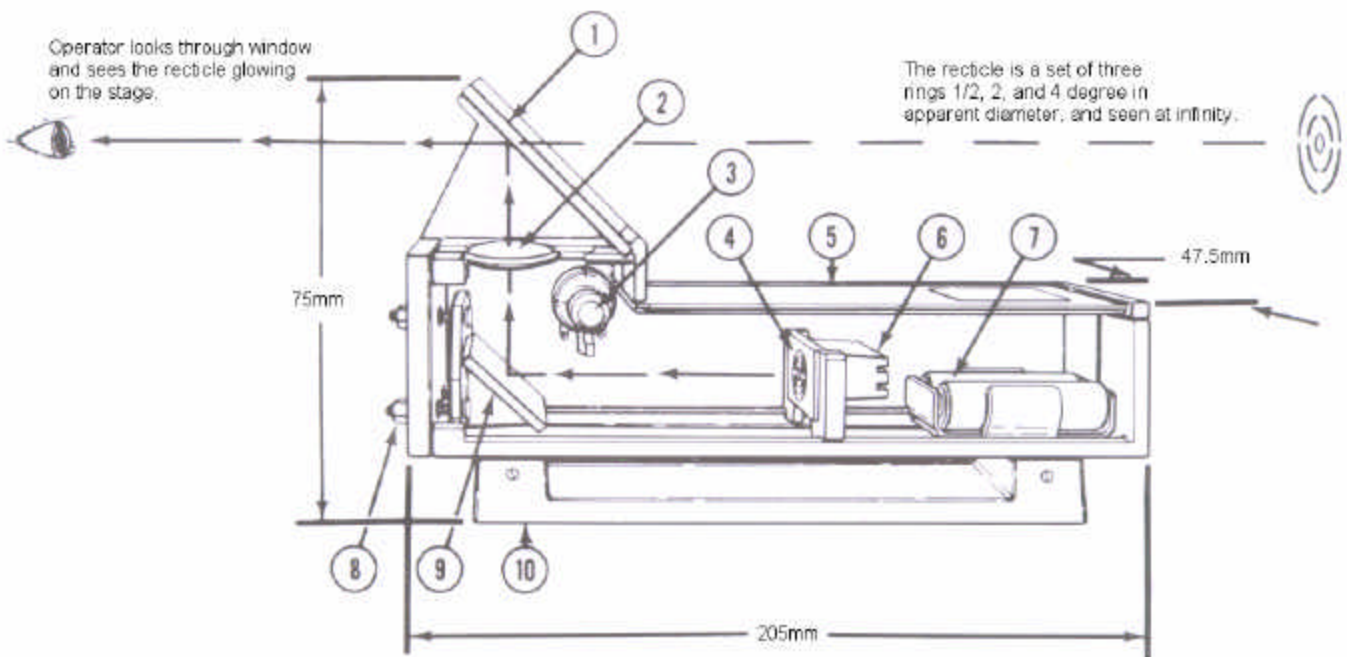


USING YOUR BULLS-EYE SIGHT



1. Smoked glass window reflects image into operators eye.
2. Lens.
3. Recticle brightness control.
4. Recticle. Note: Do not let the sun shine directly into the lens because it will burn the recticle.
5. Cover plate-slide off to reach battery holder.
6. Red light emitting diode (LED).
7. Two size AA batteries. Positive terminal is towards the red wire and negative terminal is towards the black wire. If polarity is reversed the recticle image will not light.
8. Adjustment screws allow recticle image to be aligned with followspots field of view:
 - After mounting in position on your followspot, locate an object you want to light up.
 - Using the adjustment screws, bring the centre of the recticle image to the centre of the light beam.
 - The sight may be removed and replaced in its mounting base without further adjustment as long as it has not been adjusted for use on a different followspot.
9. First surface mirror.
10. Mounting base. The Bulls-eye sight unlocks from the base by the two side screws. To install the mounting base on your followspot:
 - Locate the position that you think will be most comfortable for you.
 - Install temporarily using a low tack tape (such as electrical tape), large diameter cable tie, magnet or other method.
 - After you are satisfied with the position of the sight, you can mount the base permanently with the available screw holes.

Extra mounting bases are available to allow one sight to be used with all your followspots. Keep your Bulls-eye sight in the box when not in use.